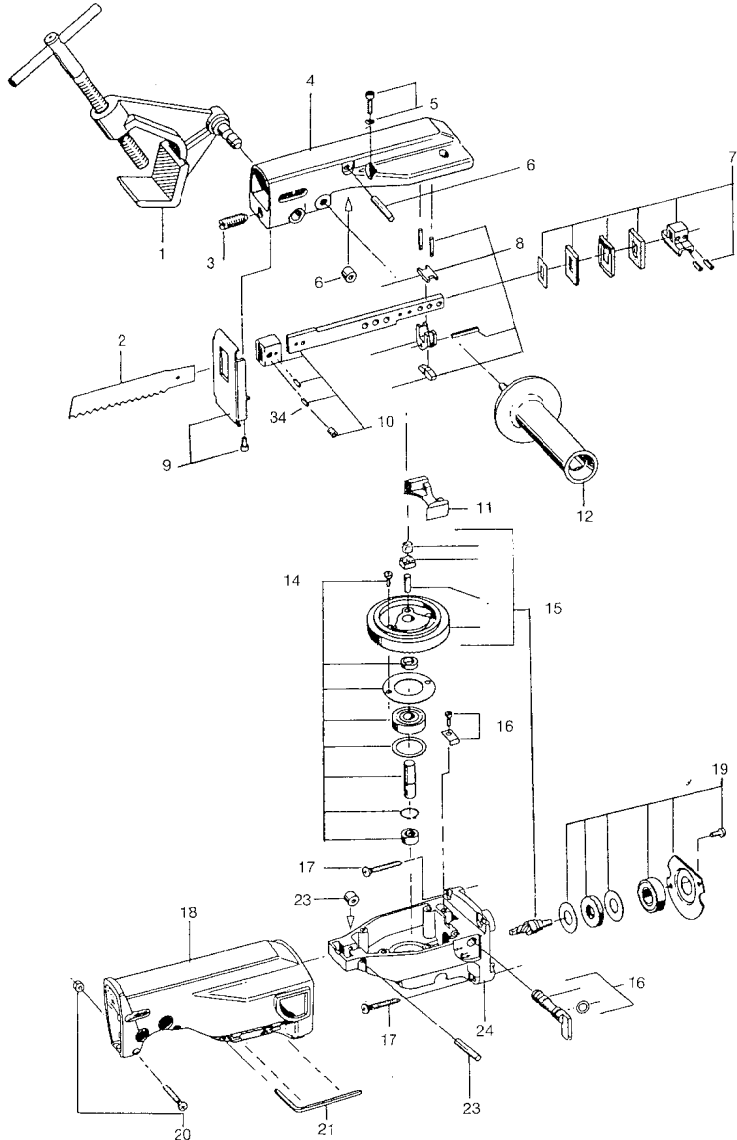
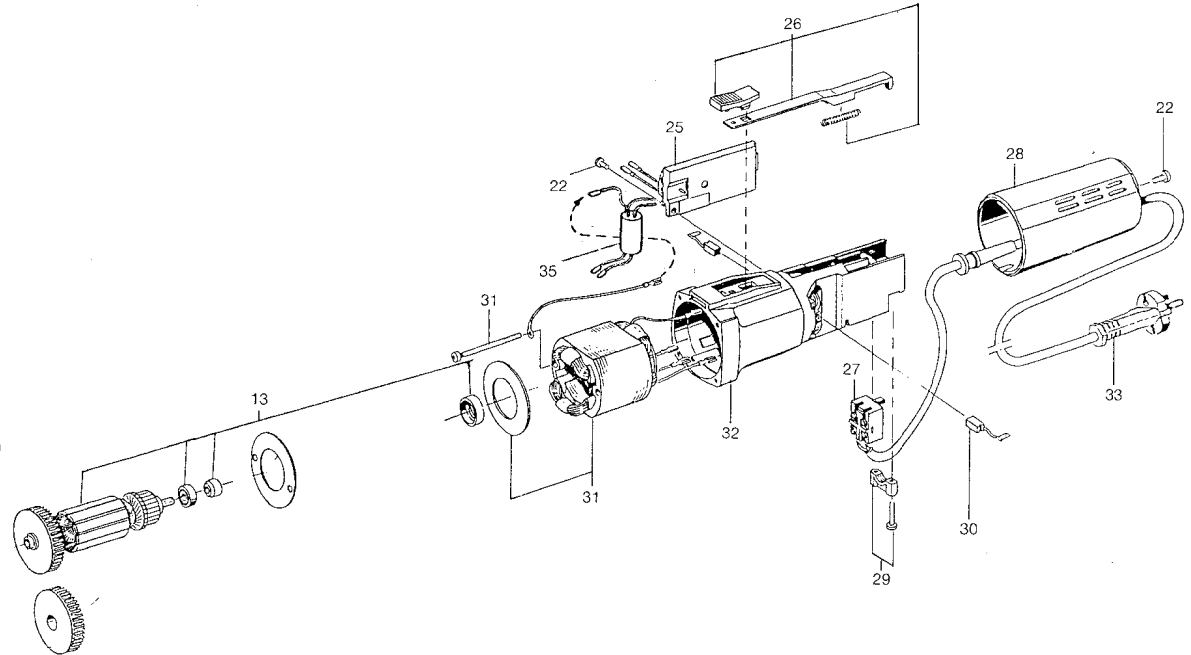


MODEL 550 RECIPROCATING SAW



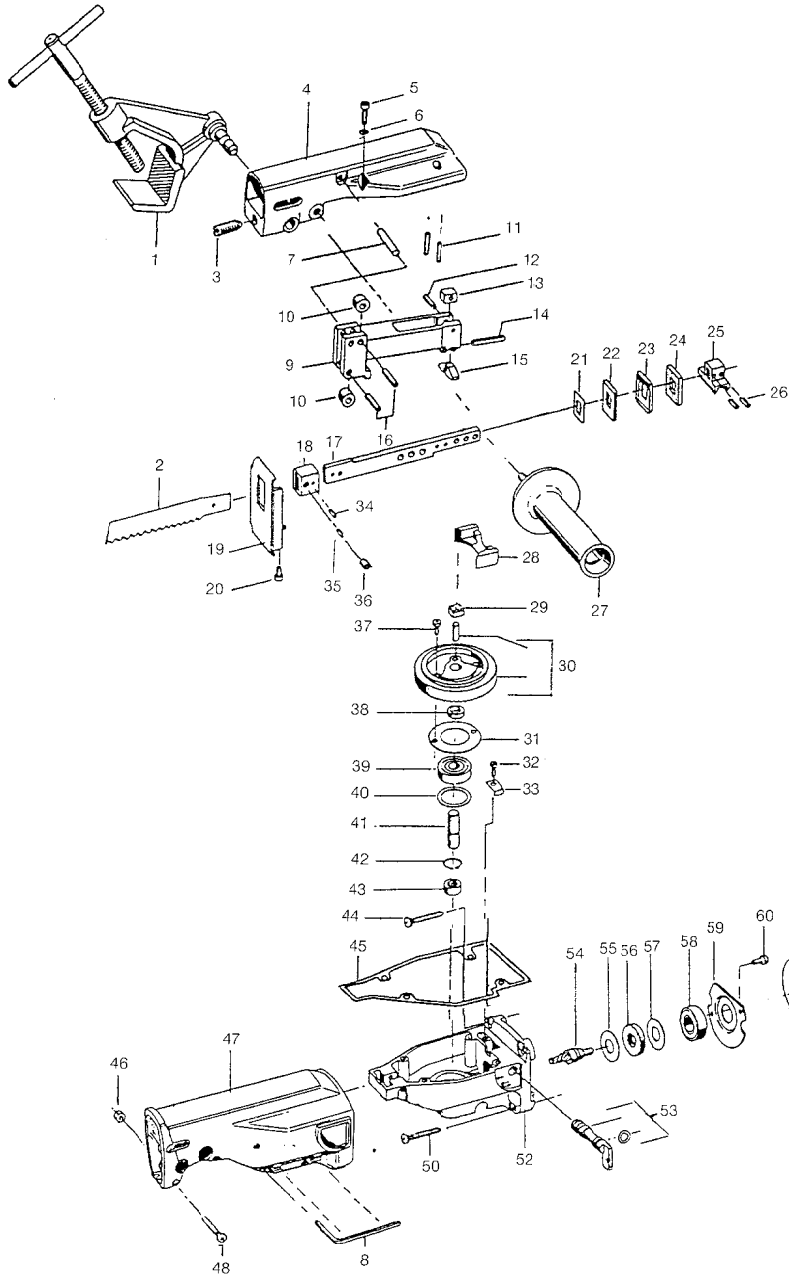
| REF.NO. | CAT.NO. | DESCRIPTION |
|---------|---------|---------------------------|
| 3 | 32406 | SCREW W/SPRING |
| 4 | 32416 | COVER |
| 5 | 32426 | SET OF 4 SCREWS + WASHERS |
| 6 | 32436 | BEARING + PIN |
| 7 | 32446 | REAR GUIDE ASSY |
| 8 | 32456 | GUIDE CONNECTOR |
| 9 | 32466 | SUPPORT PLATE |
| 10 | 32476 | BLADE HOLDER + GUIDE |
| 11 | 32486 | ORBITAL ACTION GUIDE |
| 12 | 32496 | SIDE GRIP HANDLE |
| 13 | 32506 | ARMATURE + FAN 220 V |
| 13 | 32726 | ARMATURE + FAN 110 V |
| 14 | 32516 | BEARING SET - CROWN WHEEL |
| 15 | 32526 | CROWN WHEEL AND PINION |
| 16 | 32536 | ORBITAL ACTION LEVER |
| 17 | 32546 | SET OF 4 SCREWS |
| 18 | 32556 | COVER |

| REF.NO. | CAT.NO. | DESCRIPTION |
|---------|---------|--------------------------|
| 19 | 32566 | PINION BEARING SET |
| 20 | 32576 | SET OF 5 SCREWS AND NUTS |
| 21 | 32586 | HEXAGON WRENCH |
| 22 | 32596 | SET OF 5 SCREWS |
| 23 | 32606 | BEARING + PIN |
| 24 | 32616 | GEAR CASE |
| 25 | 32626 | ELECTRONIC CONTROL |
| 26 | 32636 | SWITCH LEVER ASSY |
| 27 | 32646 | SWITCH |
| 28 | 32656 | BRUSH HOLDER HOUSING |
| 29 | 32666 | CABLE CLAMP |
| 30 | 32676 | SET OF BRUSHES |
| 31 | 32686 | FIELD 220 V |
| 31 | 32696 | FIELD 110 V |
| 32 | 32706 | MOTOR HOUSING |
| 33 | 32716 | LINE CORD W/PLUG |
| 34 | 32866 | SET OF 5 SHEAR PINS |
| 35 | 33216 | SUPPRESSOR |



MODEL 550 RECIPROCATING SAW

(SERIAL NUMBER 9004 AND HIGHER)



| REF. NO. | CAT. NO. | DESCRIPTION |
|----------|----------|---------------------------|
| 01 | 33606 | GEAR GREASE LONGTIME PDO |
| 01 | 33036 | METAL CASE |
| 02 | 34116 | LINER FOR CASE |
| 03 | 16341 | RECIP SAW 220 V |
| 04 | 16351 | RECIP SAW 110 V |
| 05 | 32336 | 4" PIPE HOLDER |
| 06 | 32326 | 2" PIPE HOLDER |
| 07 | 32406 | BLADES SEE CATALOGUE |
| 08 | 32426 | SCREW W/SPRING F/550 SAW |
| 09 | 34136 | COVER F/550 RECIP SAW |
| 10 | 32426 | SET OF 4 SCR & WASH F/550 |
| 11 | 32426 | SET OF 4 SCR & WASH F/550 |
| 12 | 32426 | SET OF 4 SCR & WASH F/550 |
| 13 | 32616 | CYLINDRICAL PIN |
| 14 | 32586 | HEXAGON WRENCH F/550 SAW |
| 15 | 33626 | CARRIER |
| 16 | 33636 | ROLL |
| 17 | 33646 | CYLINDRICAL SPRING |
| 18 | 33656 | SPRING PIN |
| 19 | 33666 | SPRING PIN |
| 20 | 33666 | SPRING PIN |
| 21 | 33676 | SPRING PIN |
| 22 | 33686 | SLIDING SHOE |
| 23 | 33696 | CYLINDRICAL PIN |
| 24 | 33706 | LIFT ROD |
| 25 | 33716 | CLAMPING PIECE |
| 26 | 32466 | SUPPORT PLATE F/550 SAW |
| 27 | 32466 | SUPPORT PLATE F/550 SAW |
| 28 | 33726 | SCRAPER |
| 29 | 33736 | FOAM RUBBER SEALING RING |
| 30 | 33746 | HOLDING PLATE |
| 31 | 33756 | FELT-SEALING |
| 32 | 33766 | FORKED ELEMENT |
| 33 | 33776 | SPRING PIN |
| 34 | 32496 | SIDE GRIP HANDLE F/550 |
| 35 | 32486 | ORBITAL ACTION GUIDE 550 |
| 36 | 33786 | SLIDING SHOE |
| 37 | 33796 | CROWN WHEEL WITH CYL. PIN |
| 38 | 33806 | BEARING CAP |
| 39 | 32536 | ORBITAL ACTION LEVER 550 |
| 40 | 32536 | ORBITAL ACTION LEVER 550 |
| 41 | 33816 | SPRING PIN |

| REF. NO. | CAT. NO. | DESCRIPTION |
|----------|----------|---------------------------|
| 35 | 32866 | SET OF 5 SHEAR PIN F/550 |
| 36 | 33826 | STUD |
| 37 | 33836 | DISTANCE BUSHING |
| 38 | 33846 | BALL BEARING 6201 Z |
| 39 | 33856 | DISTANCE RING |
| 40 | 33866 | BEARING BOLT |
| 41 | 33876 | LOCKING RING |
| 42 | 33886 | NEEDLE SLEEVE |
| 43 | 33896 | SCREW |
| 44 | 33906 | SEAL |
| 45 | 32576 | SET OF 5 SCREW & NUT 550 |
| 46 | 32556 | COVER FOR 550 RECIP SAW |
| 47 | 32576 | SET OF 5 SCREW & NUT 550 |
| 48 | 32576 | SET OF 5 SCREW & NUT 550 |
| 49 | 32656 | BRUSH HOLDER HOUSING 550 |
| 50 | 32546 | SET OF 4 SCREWS F/550 SAW |
| 51 | 32596 | SET OF 6 SCREWS F/550 SAW |
| 52 | 34126 | GEAR CASE F/550 RECIP SAW |
| 53 | 32536 | ORBITAL ACTION LEVER 550 |
| 54 | 33916 | PINION WITH BUSHING |
| 55 | 33926 | WASHER |
| 56 | 33936 | SEALING RING |
| 57 | 33946 | WASHER |
| 58 | 33956 | BALL BEARING 6000Z |
| 59 | 33966 | BEARING CAP |

| REF. NO. | CAT. NO. | DESCRIPTION |
|----------|----------|--------------------------|
| 60 | 33976 | OVAL SCREW |
| 61 | 33986 | ARMATURE |
| 62 | 34006 | FAN |
| 63 | 34016 | BALL BEARING 607 Z |
| 64 | 34026 | MAGNET RING |
| 65 | 34036 | AIR GUIDE |
| 66 | 32686 | FIELD-220V F/550 REC SAW |
| 67 | 32706 | MOTOR HOUSING F/550 SAW |
| 68 | 32646 | SWITCH F/550 RECIP SAW |
| 69 | 32666 | CABLE CLAMP F/550 SAW |
| 70 | 32676 | SET OF BRUSHES F/550 SAW |
| 71 | 32716 | LINE CORD W/PLUG F/550 |
| 72 | 34046 | RUBBER SLEEVE |
| 73 | 34056 | BEARING RING |
| 74 | 34066 | SCREW |
| 75 | 33216 | SUPPRESSOR |
| 76 | 32626 | ELECTRONIC CONTROL F/550 |
| 77 | 32636 | SWITCH LEVER ASSY F/550 |

FOR 110V MACHINES

| | | |
|----|-------|-------------------------|
| 61 | 33996 | ARMATURE 110V |
| 67 | 34086 | FIELD 110V |
| 71 | 34096 | CARBON BRUSH 110V |
| 78 | 34076 | ELECTRONIC CONTROL 110V |

