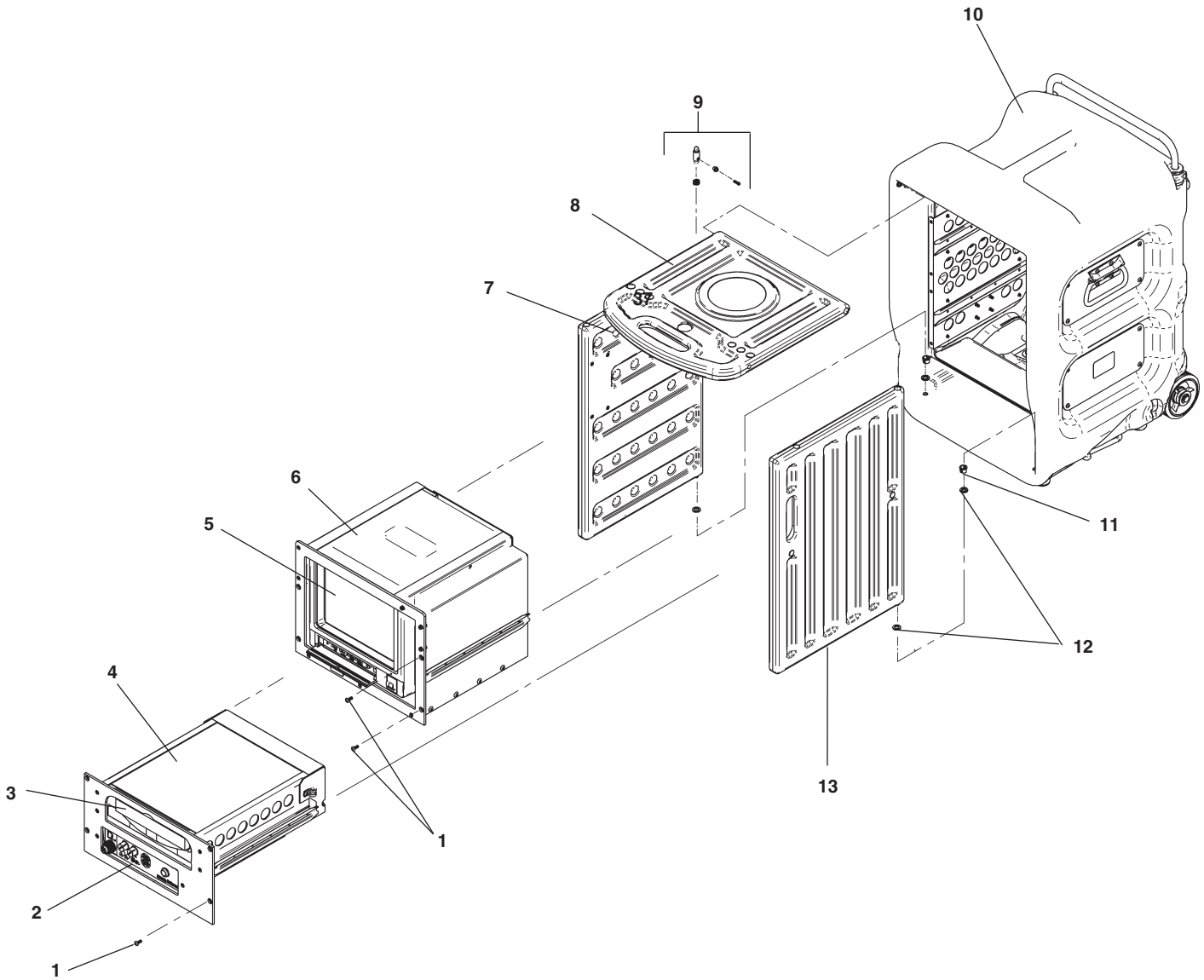


**NOTE: Order parts by Catalog Number only.  
DO NOT order by Reference Number.**

Ref. No.	Catalog No.	Description	Ref. No.	Catalog No.	Description
1	15843	VSM Handle Assembly	16	76937	Front Kickstand
2	15848	VSM Handle Tube Assembly (2)	17	15898	Screw (24)
3	15853	VSM Case Only	18	15903	Bottom Plate
4	14918	Rubber Foot (6)	19	15908	Side Handle
5	16003	Screw (6)	20	15913	Handle Bracket
6	15858	Snap Ring (2)	21	15918	Top Plate
7	15863	Washer (2)	22	15923	Inside Slide Track Plate
8	15868	VSM Wheel (2)	23	15928	Slide (4)
9	15873	Axle	24	15933	Rivets (12)
10	15883	Skid (2)	25	15938	Lock Nut (6)
11	68252	Axle Spacer	26	15943	Washer (6)
12	15888	Slide Tube Cap (2)	27	15948	Cable Clamp
13	15878	Washer (2)	28	15953	Washer (12)
14	15893	Slide Tube O-Ring (4)	<b>Not Shown</b>		
15	76942	Rear Kickstand	15958	15958	Male Slide (4)



**NOTE: Order parts by Catalog Number only.  
DO NOT order by Reference Number.**

<b>Ref. No.</b>	<b>Catalog No.</b>	<b>Description</b>	<b>Ref. No.</b>	<b>Catalog No.</b>	<b>Description</b>
1	15898	Screw (24)	6	15963	Monitor Frame Assembly
2	87252	Power Pack w/aud (115V)	7	15973	Left Door Assembly
	87257	Power Pack w/aud (230V)	8	15978	Top Door Assembly
3	76857	VCR Only (115V)	9	15988	Door Latch Assembly
	76862	VCR Only (230V)	10	15853	VSM Case Only
4	15968	VCR Frame Assembly	11	15993	Door Bushing (6)
5	76837	Monitor Only (115V)	12	15998	Washer (6)
	76842	Monitor Only (230V)	13	15983	Right Door Assembly